

New Stainless Steel check valve

Starting from June 1, 2013

MIYAWAKI INC. announces the release of a new stainless steel check valve Model CVC3. The new model will replace the present check valve CV2C.

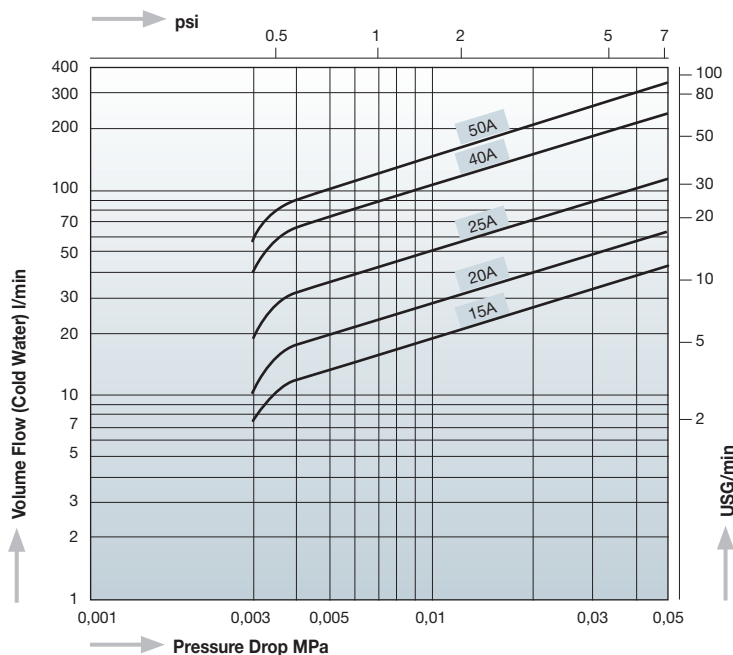


Product Specification

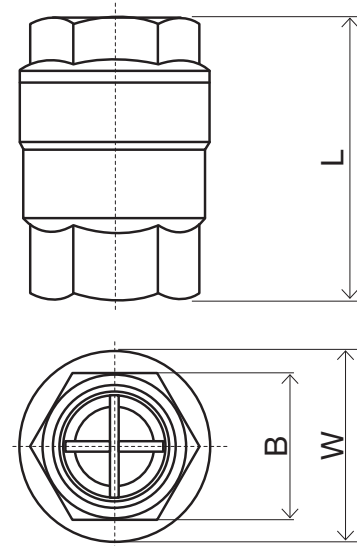
Model CVC3

| | | | | | |
|--|------------|-------|-------|-------|-------|
| Maximum Allowable Pressure, PMA (MPa): | 2,1 | | | | |
| Maximum Allowable Temperature, TMA (°C): | 220 | | | | |
| Max. Operating Pressure, PMO (MPa): | 2,1 | | | | |
| Max. Operating Temperature, TMO (°C): | 220 | | | | |
| Opening Pressure (MPa): | 0,003 | | | | |
| Material - Body/Cover: | SCS13A | | | | |
| Material - Spring: | SUS304-WPB | | | | |
| Material - Others: | SUS304 | | | | |
| Size: | ½" | ¾" | 1" | 1 ½" | 2" |
| Face to Face (mm): | 48 | 61 | 73 | 87 | 100 |
| Width (mm): | 35 | 43 | 54 | 75 | 90 |
| B (mm): | 27 | 33 | 41 | 58 | 72 |
| (Shape): | (Hex) | (Hex) | (Oct) | (Oct) | (Oct) |
| Weight (kg): | 0,2 | 0,3 | 0,6 | 1,2 | 1,8 |

Pressure Drop Chart



Dimensions



Issued: May 2013

