

Product Range Extension for large condensate flow applications

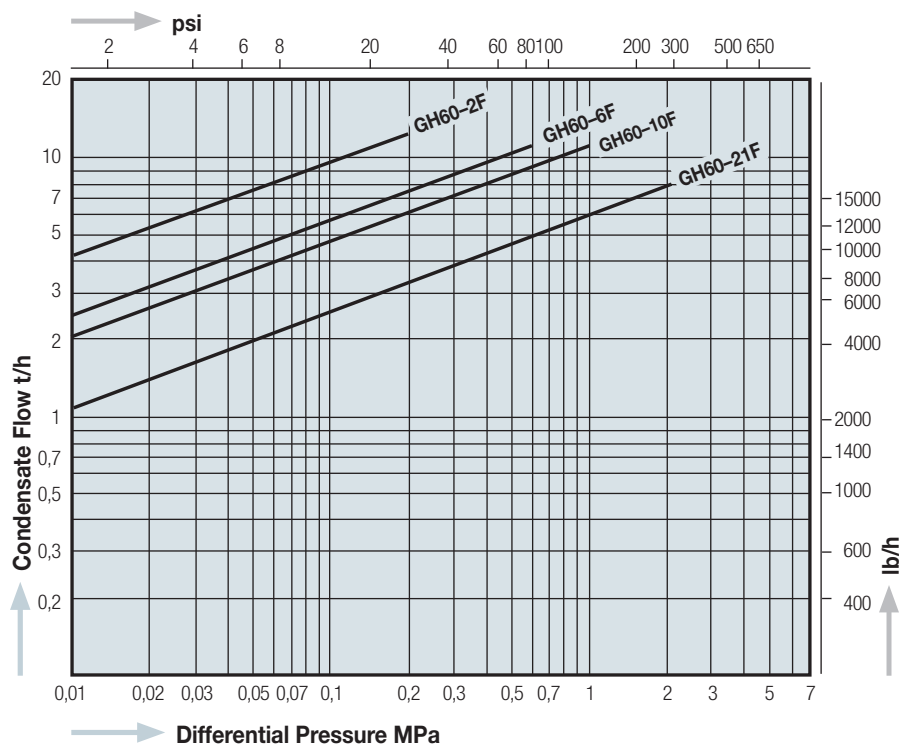
Beginning from May 1, 2014 MIYAWAKI will start to sell the new ball float steam trap GH60. The trap is designed for large condensate flow applications mainly.



Technical Specification Type GH60

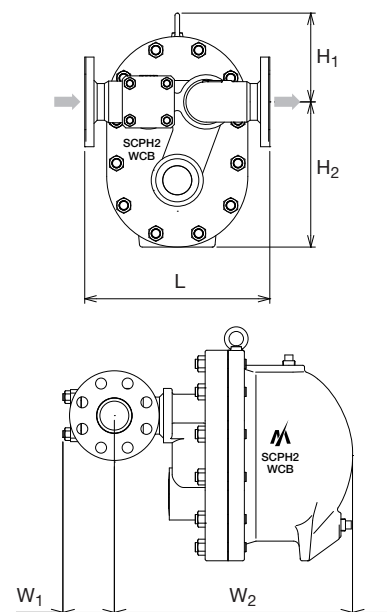
	-2F	-6F	-10F	-21F
Flanged (JIS, ASME, DIN)	2" - 2½" (DN50 - DN65)			
Max. allowable pressure PMA MPa (psig):	4,0 (580)			
Max. operating pressure PMO MPa (psig):	0,2 (29)	0,6 (87)	1,0 (145)	2,1 (305)
Max. allowable temperature TMA °C (°F):	400 (752)			
Max. operating temperature TMO °C (°F):	400 (752)			
Hydrostatic test pressure MPa:	6,0			
Body material:	Cast Steel SCPH2			
Weight kg (lb):	75 (165)			

Capacity Chart



Dimensions mm (in)

L	H ₁	H ₂	W ₁	W ₂
320 (12.6)	155 (6.1)	250 (9.8)	90 (3.5)	410 (16.1)



Issued: April 2014



MIYAWAKI Inc.
2-1-30, Tagawakita, Yodogawa-ku, Osaka 532-0021
JAPON
Tel.: + 81 - 6 - 6302 - 5549, Fax: + 81 - 6 - 6302 - 5595
E-Mail: export@miyawaki-inc.co.jp
Website: www.miyawaki.net



MIYAWAKI GmbH
Birnbbaumsmühle 65, 15234 Frankfurt (Oder)
GERMANY
Tel.: 49-335-4007 00 97, Fax.: 49-335-400 01 22
e-mail: info@miyawaki.de
website: www.miyawaki.de