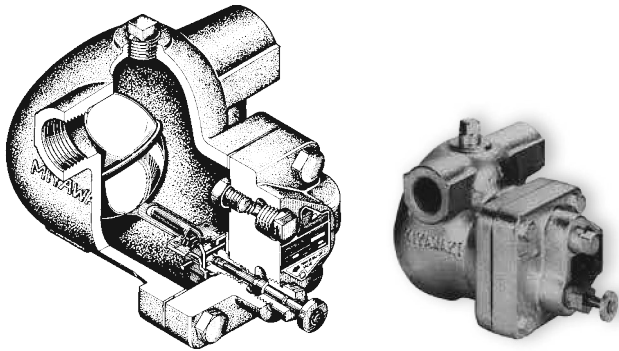
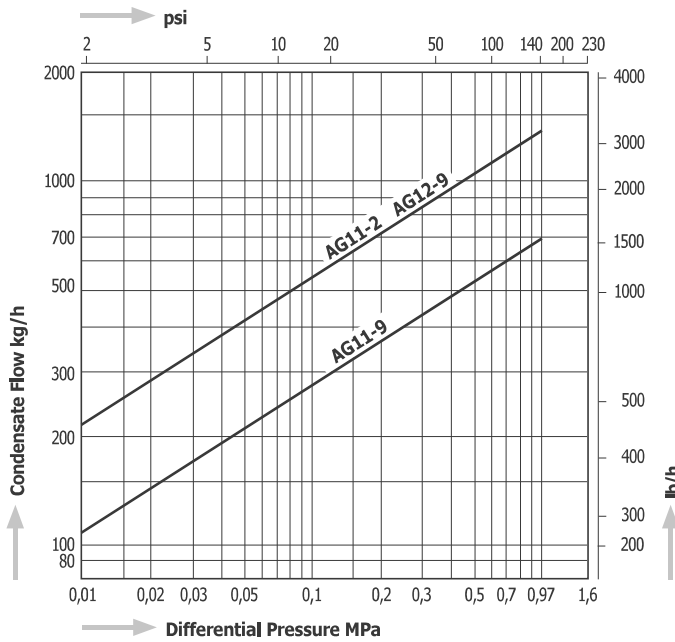


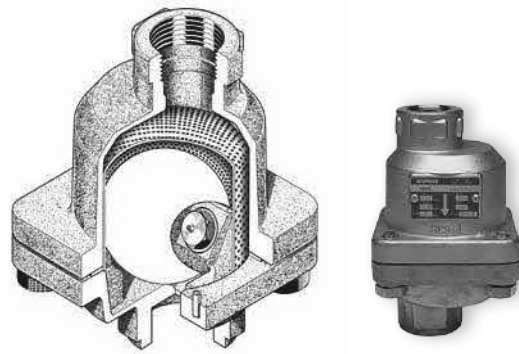
# AG11, AG12



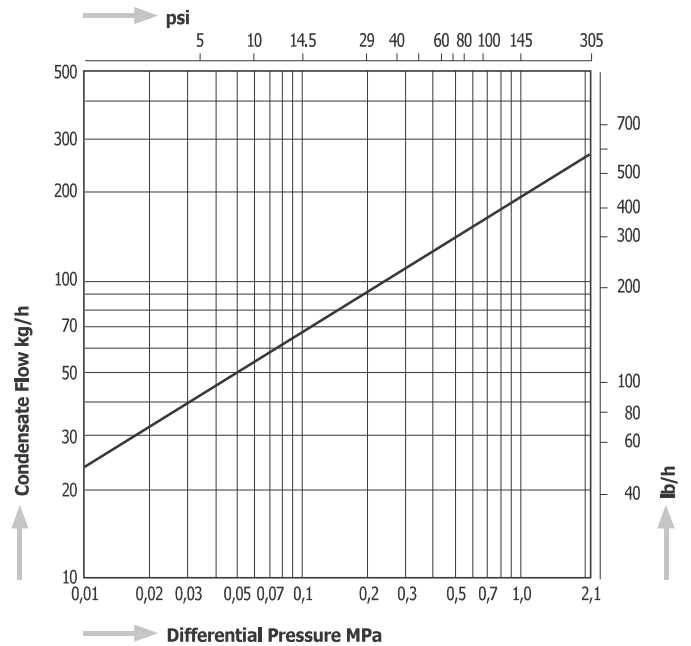
Capacity Chart AG11, AG12



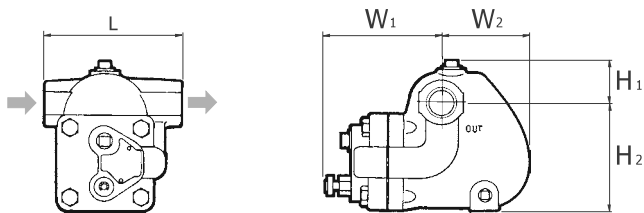
# AGC1V



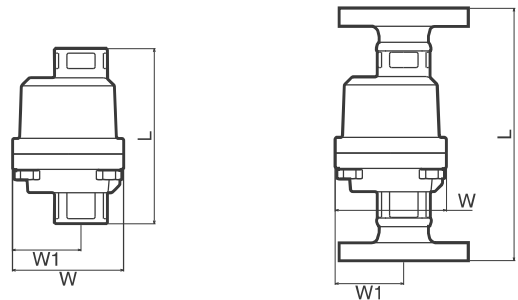
Capacity Chart AGC1V



Dimensions AG11, AG12



Dimensions AGC1V, AGC1V-W, AGC1V-F



Model	Connections	Size	Operating Pressure Range		Max. Operating Temperature		Dimensions (mm)						Dimensions (in)					Body Material	Weight		
			MPa	psig	°C	°F	L	H1	H2	W1	W2	W	L	H1	H2	W1	W2		W	kg	lb
AG11 - 2 9	Screwed Rc, NPT	1/2", 3/4"	0,01 - 0,2	1.5 - 29	100	212	120	37	92	121	60	-	4.7	1.5	3.6	4.8	2.4	-	Cast Iron FC250	3,9	8.6
		3/4", 1"	0,01 - 0,97	1.5 - 140			140	47	113	129	92	-	5.5	1.9	4.4	5.1	3.6	-		5,9	13.0
AGC1V	Screwed Rc, NPT	1/2"	0,01 - 2,1	1.5 - 305	350	662	127	-	-	53	-	-	5.0	-	-	2.1	-	-	Stainless Steel SCS13A	1,8	4.0
		3/4"					136	-	-	86	-	-	5.4	-	-	3.4	-	-		1,9	4.2
		1"					140	-	-	51	-	-	5.5	-	-	2.0	-	-		2,0	4.4
AGC1V-W	Socket Weld JIS, ASME, DIN	1/2"	0,01 - 2,1	1.5 - 305	350	662	127	-	-	53	-	-	5.0	-	-	2.1	-	-	Stainless Steel SCS13A	1,8	4.0
		3/4"					136	-	-	86	-	-	5.4	-	-	3.4	-	-		1,9	4.2
		1"					140	-	-	51	-	-	5.5	-	-	2.0	-	-		2,0	4.4
AGC1V-F	Flanged JIS, ASME, DIN	1/2"	0,01 - 2,1	1.5 - 305	350	662	175	-	-	53	-	-	6.9	-	-	2.1	-	-	Stainless Steel SCS13A	3,3	7.3
		3/4"					195	-	-	86	-	-	7.7	-	-	3.4	-	-		4,5	9.9
		1"					215	-	-	51	-	-	8.5	-	-	2.0	-	-		5,3	11.7